

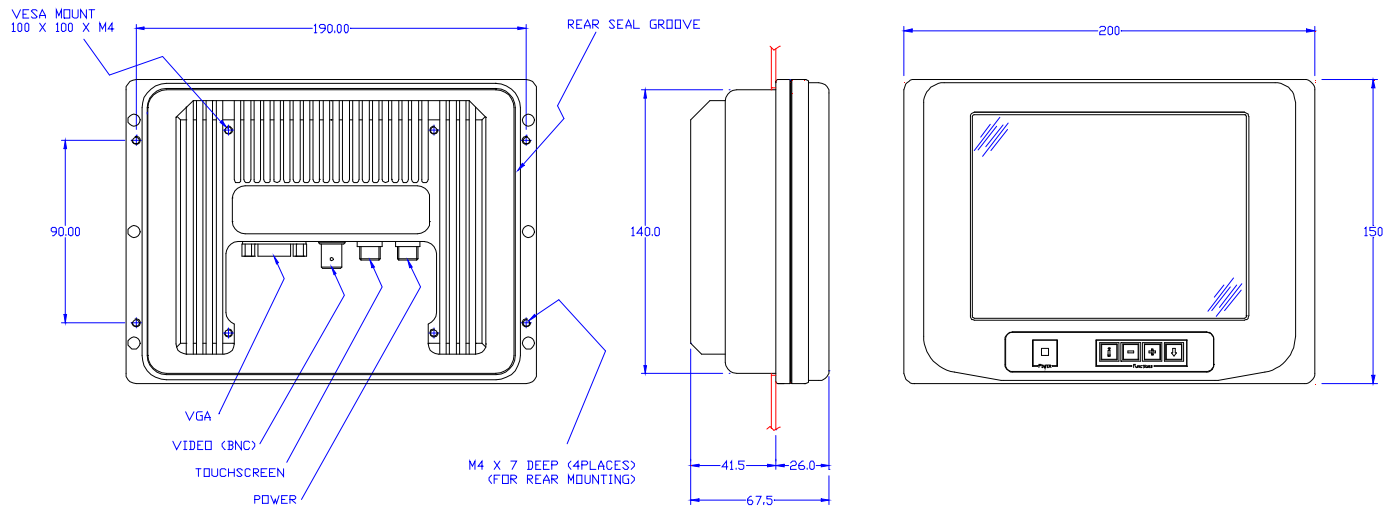
# Poseidon 6.5" Rugged Monitor



- **6.5" Colour TFT rugged LCD monitor**
- **VGA resolution 640 x 480 pixels**
- **RGB interface**
- **Optional composite video interface**
- **High brightness**
- **High contrast ratio**
- **Touchscreen option**
- **Sunlight readable option**
- **Fully sealed to IP65 as standard**
- **Sealing to IP 68 on application**
- **Single umbilical cable option**
- **Single board computer option**



# Product Information



## Description

The Poseidon 6.5" monitor is ideally suited to a wide range of applications where compact size, rugged reliability, high brightness and contrast and sealing to IP 65 or greater is necessary. The high contrast display allows excellent readability under a wide range of ambient lighting conditions while keeping power consumption to an absolute minimum, making it ideal for many marine and mobile display applications such as military and marine chart plotting, instrumentation and surveillance displays. A sunlight readable display option is available which is highly suited to outdoor and marine applications. Various options are available to complement the monitors such as touch screens and custom rugged mountings. An important feature of this monitor is the extended support life of the display ensuring continuity of through life support which is critical for many military applications. Please contact us for more details of the many options available.

## Technical Specification

Display Size	6.5" Diagonal TFT	Brightness	400CD/M sq	Power Consumption	12W Typ
Resolution	VGA 640 x 480 pixels	Contrast ratio	350:1	Voltage	12V DC
No of Colours	262000	Optional enhanced	Sunlight readable display		
RGB Interface		Optional Composite Video Interface			
Supports Sync on green and Composite sync modes		Sealing	IP65 All round		
		Operating Temp	0 – 60 deg C		
		Storage Temp	-20 to + 60 deg C		

Bluestone Technology reserves the right to implement changes in design and technology which serve to improve the product. Specifications are subject to minimal alterations for production reasons.

1 Paiges Farm, Bovisand Lane, Down Thomas, Plymouth PL9 0AE  
 Tel / Fax +44 (0)1752 862436  
 E Mail sales @bluestonetechnology.com  
 Web Site www.bluestonetechnology.co.uk

**Bluestone**  
 Technology Ltd