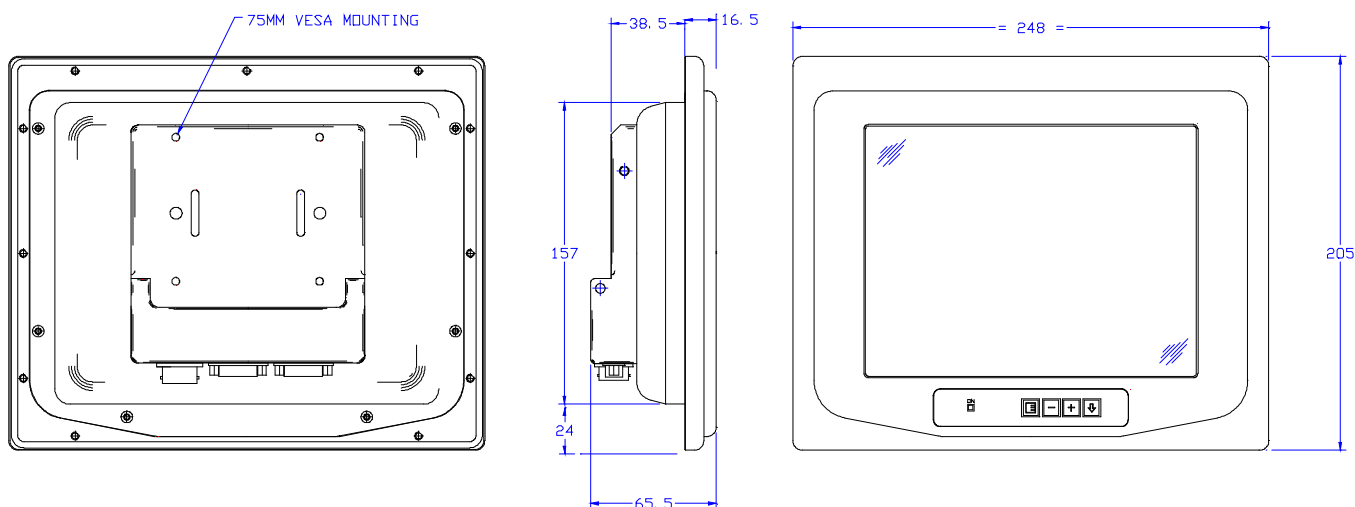




-
- **8.4" Colour TFT rugged LCD monitor**
 - **VGA or XGA resolution**
 - **RGB interface**
 - **Optional composite video interface**
 - **High brightness**
 - **High contrast ratio**
 - **Fully sealed to IP65 front face**
 - **Front mounted ergonomic OSD controls**
 - **Single board computer option**
-

Product Information



Description

The Titan 8.4" monitor is ideally suited to a wide range of applications where rugged reliability, high brightness and contrast and front face sealing to IP 65 is necessary. The high contrast display allows excellent readability under a wide range of ambient lighting conditions while keeping power consumption to an absolute minimum, making it ideal for many marine and mobile display applications such as military and marine chart plotting, instrumentation and surveillance displays. Various options are available to complement the monitors such as touch screens and custom rugged mountings. A vital feature of this monitor is the extended support life of the display ensuring continuity of through life support which is critical for many military applications. Please contact us for more details of the options available.

Technical Specification

Display Size	8.4" Diagonal TFT	Brightness	400CD/M sq	Power Consumption	8W Typ
Resolution	VGA 640x 480 pixels XGA 1024x 768 pixels	Contrast ratio	450:1	Voltage	12V DC
No of Colours	262000	Optional Composite Video Interface			
RGB Interface		Sealing	IP65 All round		
H Frequency	15-100 KHz	Operating Temp	0 – 60 deg C		
V Frequency	50-100 Hz	Storage Temp	-20 to + 60 deg C		

Bluestone Technology reserves the right to implement changes in design and technology which serve to improve the product. Specifications are subject to minimal alterations for production reasons.

1 Paiges Farm, Bovisand Lane, Down Thomas, Plymouth PL9 0AE
Tel / Fax +44 (0)1752 862436
E Mail sales @bluestonetechnology.com
Web Site www.bluestonetechnology.co.uk

Bluestone
Technology Ltd