

- **Slimline rugged design**
- **Fully machined aluminium housing**
- **Shock/vibration resistant**
- **Secure push button release system**
- **SATA interface**



Glanded SATA interface with IP67 power input.

Designed to be used in conjunction with the Poseidon Xtreme Caddy & i7 Computer. The Xtreme Docking Station is a rugged yet stylish Docking Station fully machined from aluminium. Finished with a hard anodised coating providing the highest level of corrosion and wear resistance in the harshest of marine and military environments.

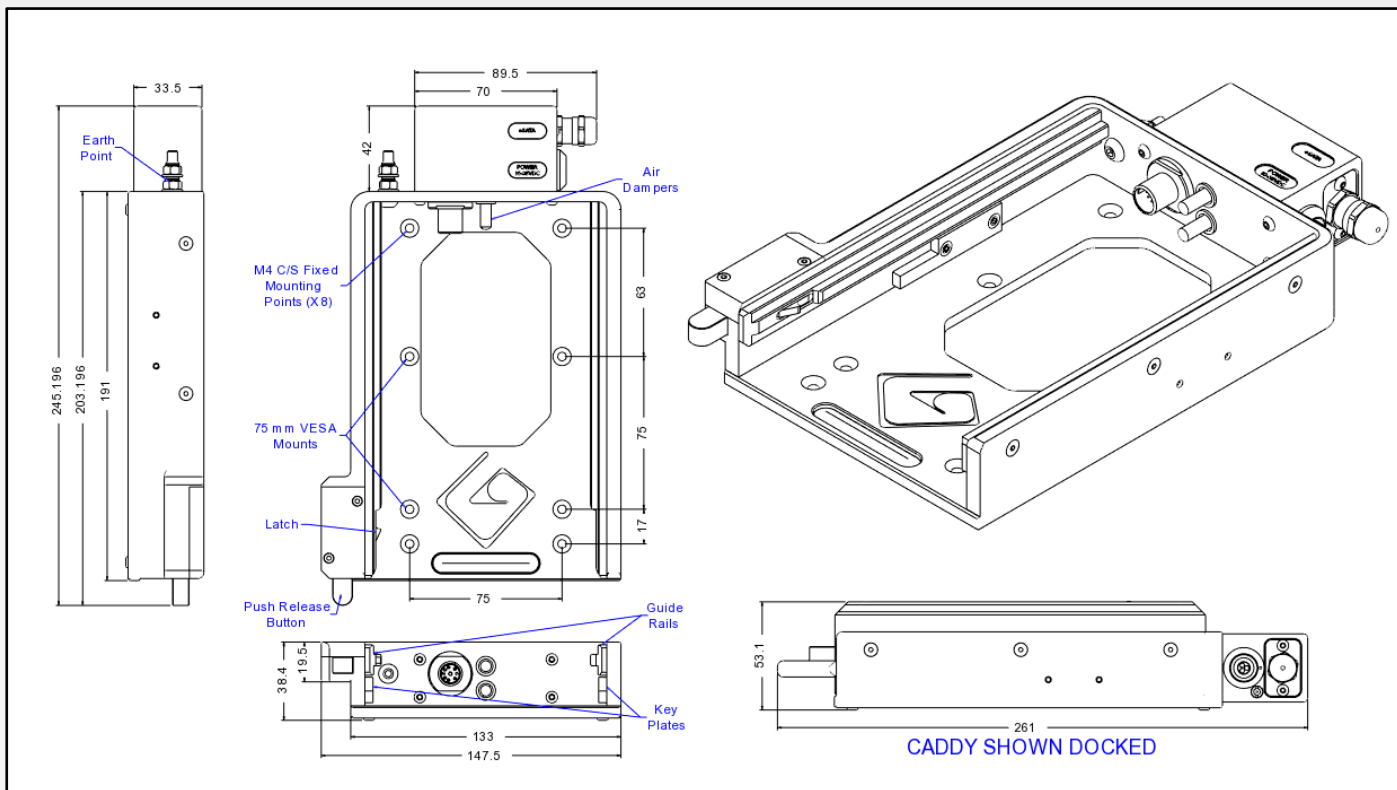
Its modern, low profile design makes it ideally suited for installation into applications where space is at a premium. The Xtreme Docking Station includes multiple fixing configurations including a 75mm VESA mount allowing the Docking Station to be used either free mounted or securely fixed as part of an installation.

The Xtreme Docking Station incorporates user configurable key-plates to allow the docking station to be keyed to specific Poseidon Xtreme Caddies. A mechanical retaining mechanism ensures the Xtreme Caddy is secured in situ whilst docked.



Xtreme Docking Station, Poseidon Xtreme Caddy and i7 Computer

The Caddy contains the Poseidon Xtreme i7 Computers operating system such as Windows or Linux, its removal and secure storage denies unauthorised access to the i7 Computer and data stored within. This, combined with third-party encryption placed on the Caddy's SSD, provides an IT solution with enhanced physical security and data encryption at its core. Please contact us to discuss your specific requirements and one of our highly experienced engineers will help to tailor a solution to match your needs.



Technical Specification

Interface	SATA
Cable Length	2 Metres maximum
Sealing	IP67
Latching	Mechanical latch locks the Caddy into the docking station
Air dampers	Provide “soft-docking” of the Caddy to extend connector life
Operating Temp	-50 to +80 ° C
Storage Temp	-50 to +80° C
Power Consumption (With Caddy)	3W Typ non heater 18W Typ heater on

Voltage	10-36V VDC
Weight - Docking Station	1.1Kg
Internal Mounting	All internal components isolation mounted to protect against external shock & vibration
Housing	Machined aluminium
Finish	Hard Black Anodised
Mounting	VESA mount, other options available, please contact to discuss

Bluestone Technology reserves the right to implement changes in design and technology which serve to improve the product. Specifications are subject to minimal alterations for production reasons. E&OE.