

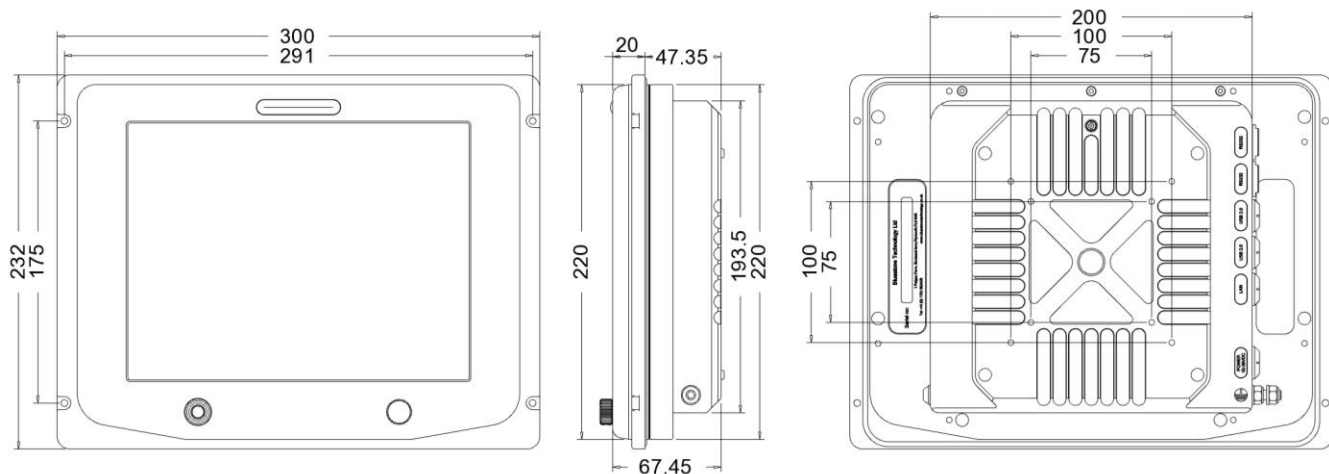


- **Full sealing to IP65/IP67**
- **Extended temperature range**
- **Intel Atom quad core processor**
- **Optimised for low power consumption**
- **Wide voltage input 10-36 V DC**
- **High shock & vibration protection**

The Poseidon 10.4" Panel PC is a brand new, low power, rugged computer product that builds on the legacy of our long-established Poseidon 10.4" monitor range. Designed for the harshest environments in military, marine and industrial applications its a fully sealed panel PC with optional touchscreen. Based on the Intel Atom Quad core processor, its optimised for low power operation and has a wide operating temperature range of -30° to +60°C with fan-less passive cooling. With up to 8GB of RAM and SSD storage size as required, its highly suited to data gathering and monitoring applications in a wide range of industries.

Highly configurable, a wide selection of I/O connections are available including LAN, USB, serial RS232 / RS422 / RS485. I/O is completely user defined to suit your specific needs so please contact our engineers to discuss your requirements in detail.

As with all Bluestone products, the internal components benefit from our proprietary isolation mounting system to protect against environmental shock and vibration and are designed to meet Def Stan 59-411 Below Decks standard.



Technical Specification

Display Size	10.4" Diagonal
Resolution	XGA 1024 x 768
Brightness	400/1000 Cd/ m sq options
Contrast Ratio	700:1
Processor	Intel Atom E3845
CPU Frequency	Up to 1.91Ghz
RAM	Up to 8GB DDR3L
SSD	Customer defined
O/S	Windows 10 & Linux O/S supported
Sealing	IP65 > IP67
Operating Temp	-30 to +60 Deg C
Storage Temp	-30 to +80 Deg C

Power Consumption	20W typ
Voltage	10-36 V DC
Weight	4.5 Kg
Touch screen	Optional
Shock/Vibration	Internal components isolation mounted to protect against external shock /vibration
Housing	Machined aluminium
Finish	Hard black anodised
EMC	Designed to meet Def Stan 59-411 Below decks standard

Bluestone Technology reserves the right to implement changes in design and technology which serve to improve the product. Specifications are subject to minimal alterations for production reasons. E&OE.